

Mechanical Variable Optical Attenuator (MVOA)

1. Features

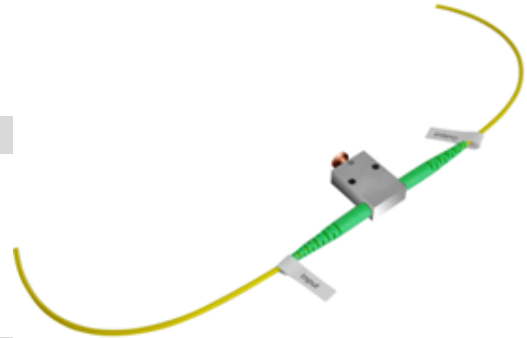
- Low Insertion Loss
- High Precision
- Wide Attenuation range
- Compact Design
- Wide Operating Temperature

2. Applications

- Fiber Communication on system test
- Optical Passive component test
- Optics lab use

3. Compliance

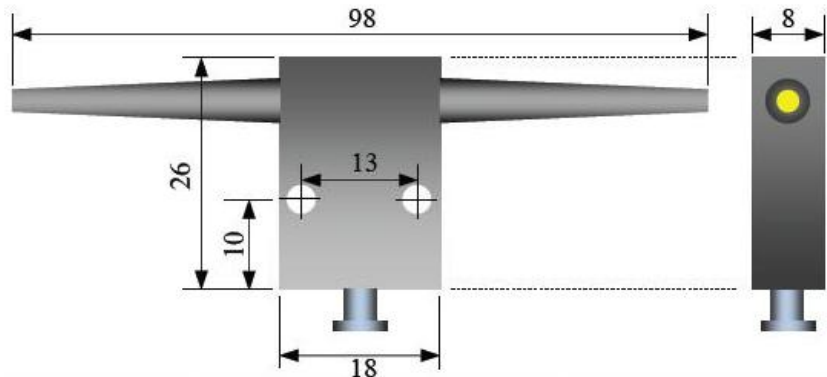
- Telcordia GR-1209-CORE-2001
- Telcordia GR-1221-CORE-1999
- RoHS



4. Specifications

Item	Parameters	
Operating wavelength (nm)	1260~1620	850/1310
Attenuation range (dB)	0.6~60	0.8~40
Original loss (dB)	0.6	0.8
Adjustment Precision (dB)	0.02	
PDL (dB)	0.15	
Fiber Type	SMF-28e	50/125 Or 62.5/125 Multi-Mode
Maximum Optical Power (mw)	500	
Operating Temperature (°C)	-40~85	
Storage Temperature (°C)	-40~85	
Dimension (mm)	26x18x8	

5. Mechanical Dimensions



E-mail: sales@op-future.com
 Web : <http://www.op-future.com>