

SIX PORT CWDM ITU COMPOENT

1. Description

Op-future's Six Port Coarse Wavelength Division Multiplexer (CWDM) devices demonstrate low loss and reliable performances. These devices show broad passband and high isolation, making them ideal for operation with inexpensive, uncooled lasers. They are low cost products for the CATV and metro/access markets easily customizable, Op-future's CWDMs can be configured from a standard list of packaging and connector options

Op-future provides whole series of Module products that are tailored for specific applications. All products meet GR-1209-CORE and GR-1221-CORE requirements.

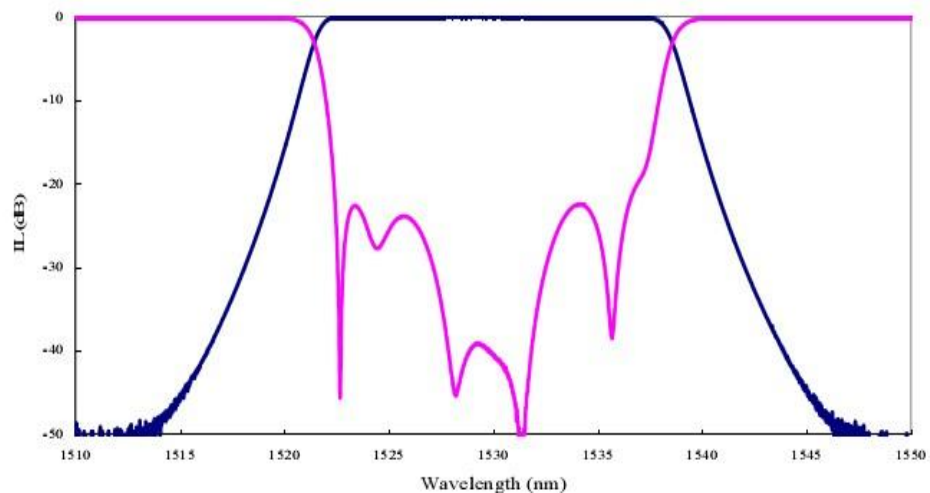
2. Features

- Low Insertion Loss, Low PDL
- High channel isolation
- Exceptional reliability and stability
- Wide Operating Wavelength
- Wide Operating Temperature

3. Applications

Access networks, Metro WDM Systems, Enterprise networks, Fiber optic instruments

4. Spectral Plot



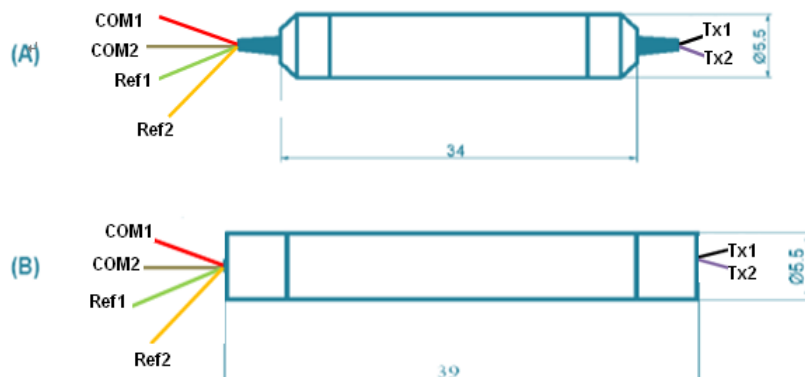
5. Specifications

Item	Unit	Parameters	
Channel Spacing		20nm ITU grids	
Wavelength Range	nm	1460 to 1620	1260 to 1620
Channel Centers(ITU or ITU+1)	nm	1470...1610	1270...1610
		1471...1611	1271...1611
Passband	nm	+/- 6.5	
Passband Ripple	dB	≤0.30	
Transmission IL	dB	≤0.70	
Reflection IL	dB	≤0.40	
Reflection Band Ripple	dB	≤0.20	
Transmission Isolation (Adj channel)	dB	≥30	
Transmission Isolation (Non-adj channel)	dB	≥40	
Reflection Isolation	dB	≥13	
Polarization Dependent loss	dB	≤0.05	
Thermal Stability	dB/°C	≤0.005	
Directivity	dB	≥50	
Return loss	dB	≥45	
Maximum Optical Power	mw	≤500	
Operating Temperature	°C	-5 to +70	
Storage Temperature	°C	-40 to +85	
Fiber Type		G657A or Customized	
Package Dimension	mm	Φ5.5×34(A)/ 250um bare fiber	
	mm	Φ5.5×39(B)/900um loose tube	

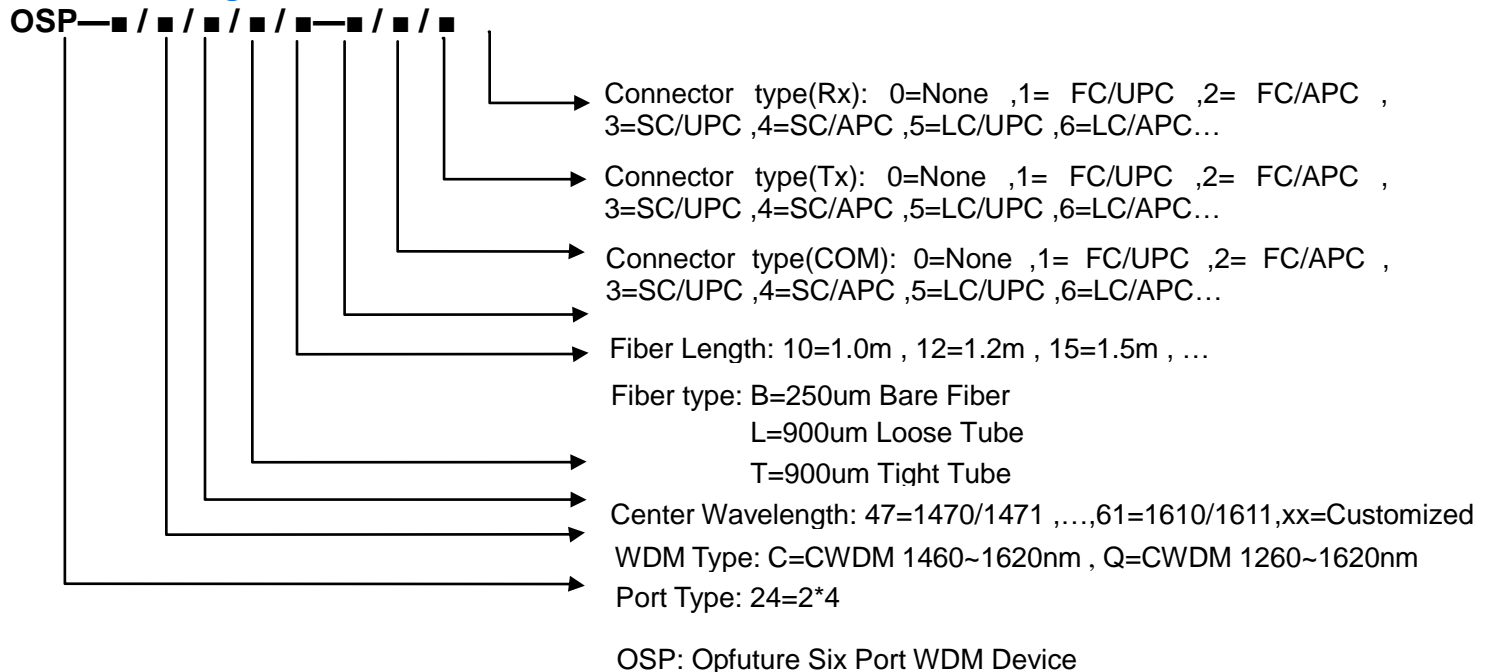
Notes:

1. Specified without connectors.
2. Add an additional 0.2dB loss per connector.

6. Dimensions Drawing (mm)



7. Ordering information



Red Line Express COM 1 ; Gray Line Express COM 2

Green Line Express Reflect 1 ; Yellow Express Reflect 2

Black Line Express Transmission 1 ; Purple Express Transmission 2

Example : OSP-24/C/47/B/10-000

Op-future Half Band Six Port CWDM Device, 2*4 Central Wavelength 1470nm, 250um bare fiber, Fiber length 1.0m, None Connector.

E-mail: sales@op-future.com

Web : <http://www.op-future.com>